



BM5 型号意义 ORDERING CODE

	1	2	3	4	5
BM5	-				

1	排量 Displacement
315、400、500、630、800、985	

2 输出轴 Shaft

P	Φ50 Cylindrical shaft, parallel key 14X9X70
P1	Φ40 Cylindrical shaft, parallel key 12X8X45
H4	Φ40 Splined shaft, 8-40X35X7
H5	Φ40 Splined shaft, 6-40X35X10
K2	Φ44 Involute splined shaft, Modulus2.5 Teeth 16 Pressure angle 30°
K3	Φ45 Involute splined shaft, Modulus2.5 Teeth 17 Pressure angle 30°

3 安装法兰 Mounting Flange

A	4-Φ18: Square Flange rabbet Φ160
A1	4-Φ14: Square Flange rabbet Φ125

4 油口 Ports

Inlet & Outlet P(A,B)		Drain Port T
Y	G1"	G1/4"
Y1	G3/4"	G1/4"
Y2	M33X2	M14X1.5
Y3	M27X2	M14X1.5
Y4	M22X1.5	M14X1.5
Y5	M18X1.5	M14X1.5

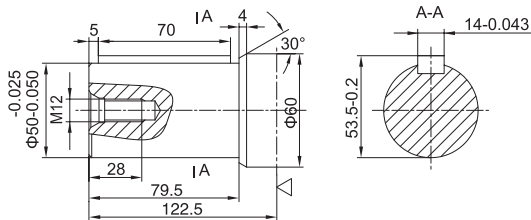
5 特殊要求 Special Features

Omit	N/A
T	Available (Indicated when ordering)

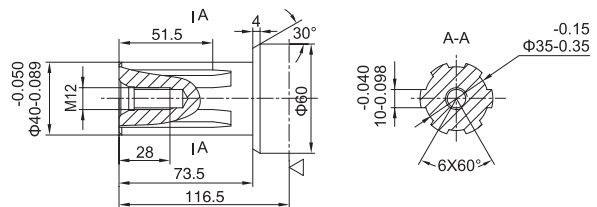
BM5 外形连接尺寸--输出轴 SHAFT VERSION

仅配A型法兰 Only match with A flange

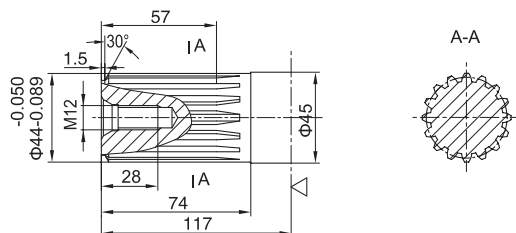
P: Φ50平键轴, 平键14X9X70
Φ50 Cylindrical shaft, parallel key 14X9X70



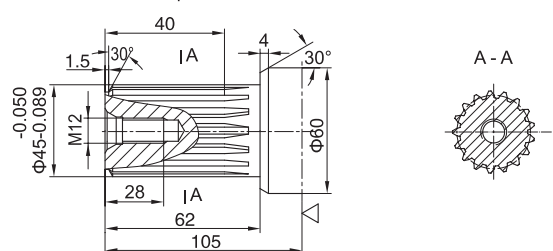
H5: Φ40矩形花键轴, 6-40X35X10
Φ40 Splined shaft, 6-40X35X10



K2: Φ44渐开线花键轴, m2.5 z16 a30°
Φ44 Involute splined shaft, Modulus2.5 Teeth 16 Pressure angle 30°



K3: Φ45渐开线花键轴, m2.5 z17 a30°
Φ45 Involute splined shaft, Modulus2.5 Teeth 17 Pressure angle 30°



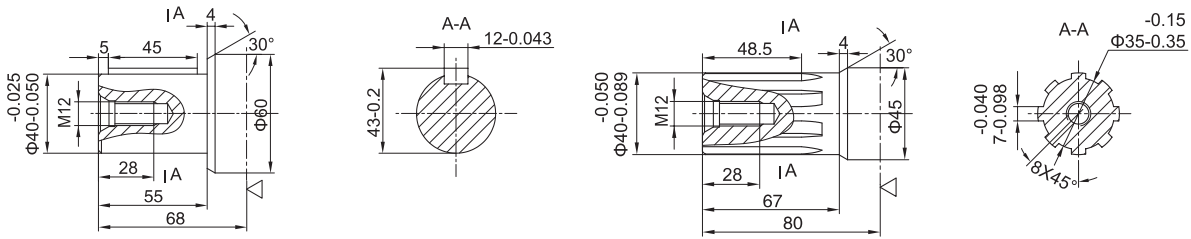


BM5 外形连接尺寸—输出轴 SHAFT VERSION

仅配A1型法兰 Only match with A1 flange

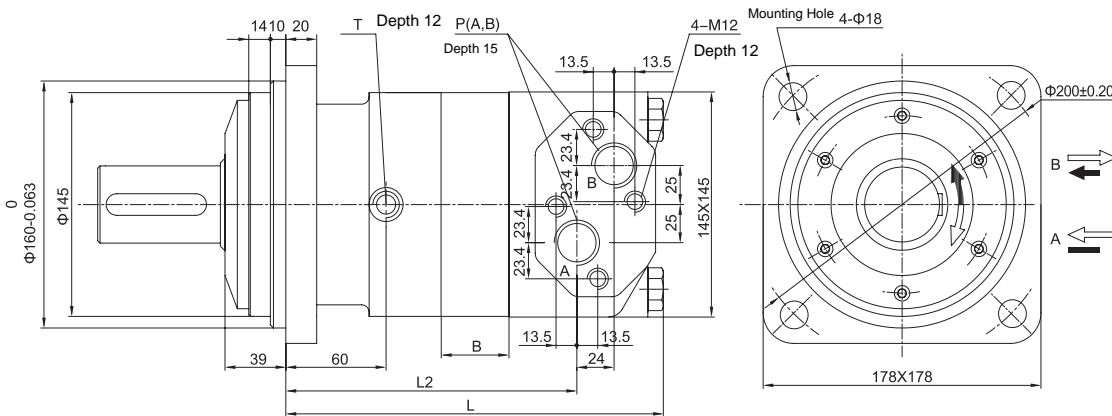
P1: $\Phi 40$ 平键轴, 平键12X8X45
 $\Phi 40$ Cylindrical shaft, parallel key 12X8X45

H4: $\Phi 40$ 矩形花键轴, 8-40X35X7
 $\Phi 40$ Splined shaft, 8-40X35X7

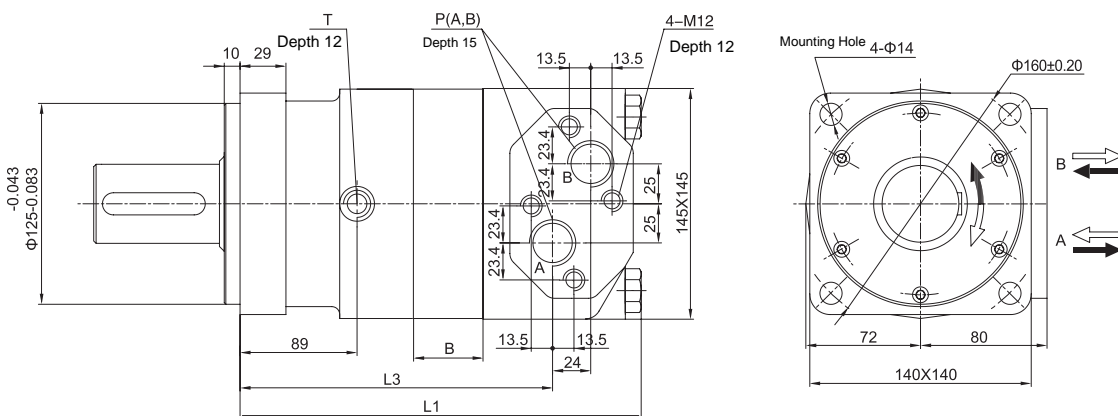


BM5 外形安装图 Installation

A型 大法兰 A Version Square flange



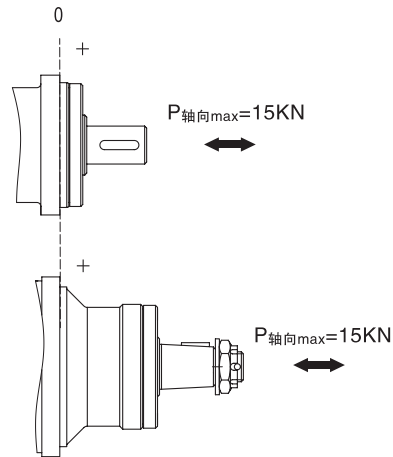
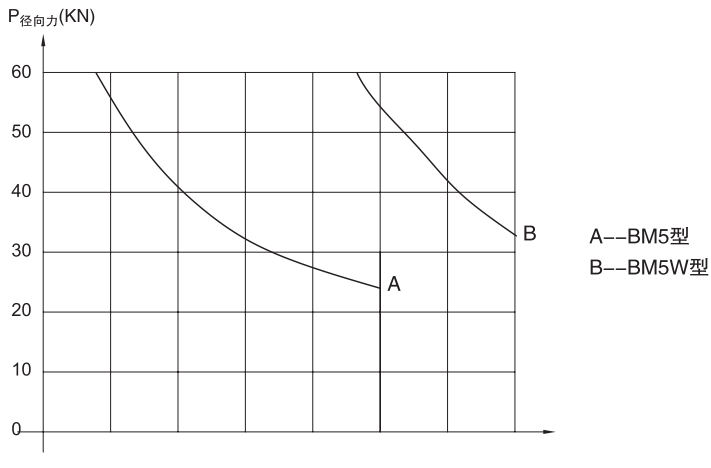
A1型 小法兰 A1 Version Square flange



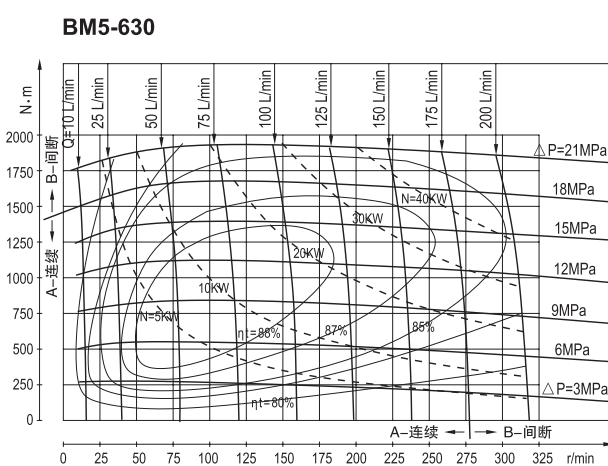
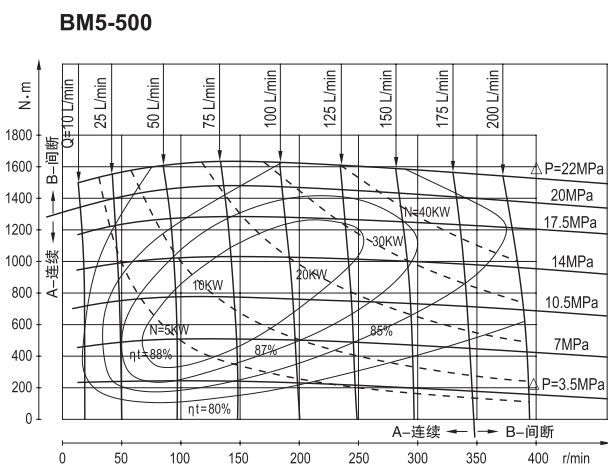
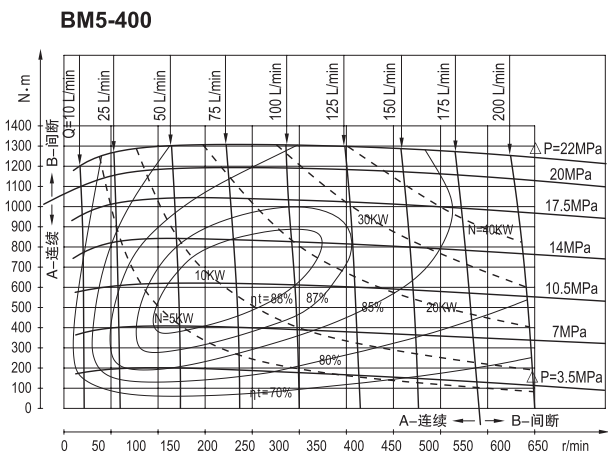
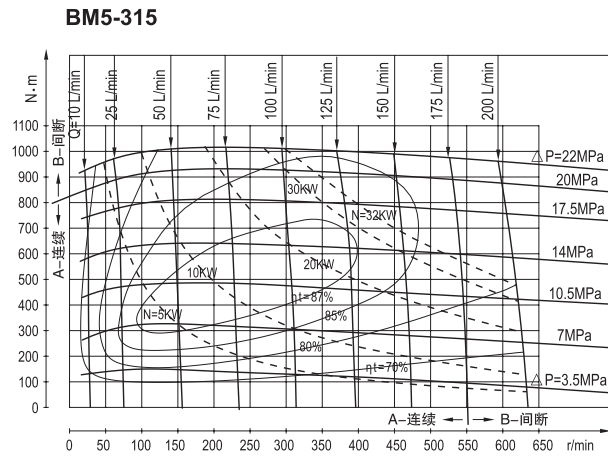
型号 TYPE	BM5-315	BM5-400	BM5-500	BM5-630	BM5-800	BM5-985
L	214	221	229	239	253	268
L1	244	251	259	269	283	298
L2	156	163	171	181	195	210
L3	186	193	201	211	225	240
B	19	26	34	44	58	73



■ 输出轴允许负载 PERMISSIBLE SHAFT LOADS

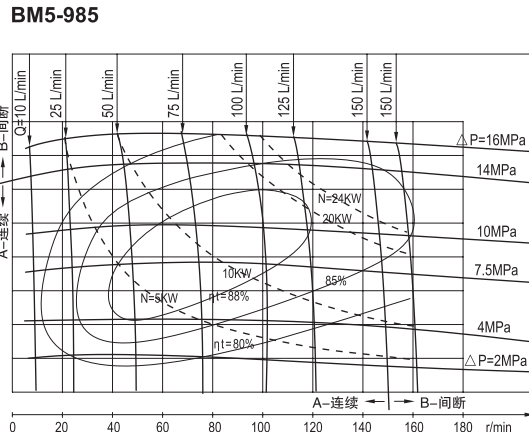
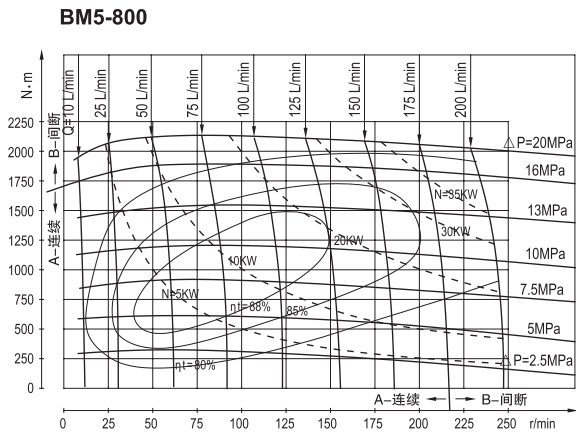


■ BM5性能曲线图 FUNCTION DIAGRAMS

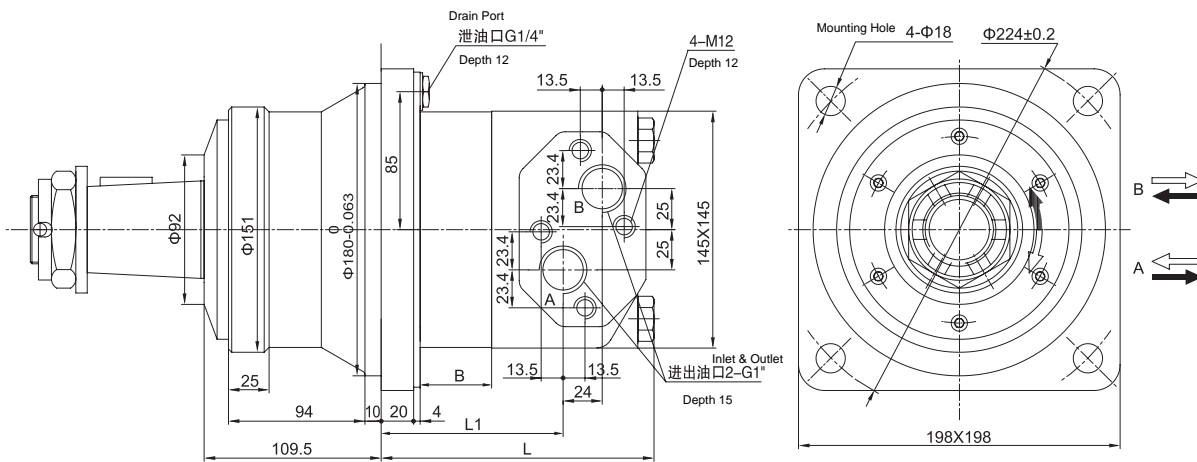




■ BM5性能曲线图 FUNCTION DIAGRAMS



■ BM5W轮用马达 外形安装图 Installation



TYPE	BM5W-315	BM5W-400	BM5W-500	BM5W-630	BM5W-800	BM5W-985
L	146	153	161	172	185	200.5
L1	86	93	101	111	125	140
B	19	26	34	44	58	73

■ BM5 技术参数 TECHNICAL DATA

型号 TYPE	BM5-315 BM5S-315 BM5W-315	BM5-400 BM5S-400 BM5W-400	BM5-500 BM5S-500 BM5W-500	BM5-630 BM5S-630 BM5W-630	BM5-800 BM5S-800 BM5W-800	BM5-985 BM5S-985 BM5W-985
排量 Displacement(ml/r)	314.9	399.7	496.6	617.8	787.4	969.1
最大压降 Max.Pressure.Drop (Mpa)	连续 cont.	20	20	20	18	14
	间断 int.	24	24	24	21	16
	尖峰 peak.	28	28	28	24	18
最大扭矩 Max.torque (N.m)	连续 cont.	873	1108	1385	1570	1900
	间断 int.	1119	1440	1783	1951	2133
	尖峰 peak.	1293	1650	2060	2249	2399
转速范围 (连续) Speed.Range(cont.)(r/min)	10-630	9-500	8-400	6-315	5-250	5-160
最大流量 (连续) Max.Flow(cont.)(L/min)	200	200	200	200	200	160
最大输出功率 (连续) Max.Output.Power(cont.)(Kw)	32	40	40	40	35	24
重量 Weight (kg)	30.7	31.5	32.4	33.6	35.2	37.2



Introduction

SHANGHAI XIAOLI HYDRAULICS CO.,LTD is the qualified company who is a professional R & D and design for various hydraulic system units and related equipments. We mainly manufacture hydraulic pumps for various machinery equipments and auxiliary devices for motors, also including hydraulic control valve series for transmission systems. In addition to Standard types, we also can design and make products according to customers' requirements. Our corporation has established branches in Jiangsu Province, Shandong Province, Hebei Province, Anhui Province and Heilongjiang provinces, based on this sales network, our products are widely sold in domestic and exported to overseas markets.

We have various hydraulic pumps & gear motors ranging from 0.01 MPa to 63 MPa for different pressure requirements, we also can produce double or triple pumps according to customers' requirement, and supply pump matching with motor. We have hydraulic control valves with three categories of pressure, direction and flow with high-to-low pressure, which are widely used in different machineries, machine tools and engineering equipments. Besides XiaoLi its own brand's products, we have kept spread strategic relationships with various professional manufacturers from domestic and abroad, taking as the role of distributor, to meet your different requirements.

XiaoLi its own advantages compared with rivals

***Quality Control and large business scale with competitive prices & discounts, to help customers reduce costs while making improvement on facilities.

***Supplying from stock, sales and distribution integrated, let our customers enjoy one-stop service

***Optimizing sourcing and supplying in order to meet different customers' requirements in different fields, we can provide out products with best prices

Shanghai XiaoLi Hydraulics Co.,Ltd

Add : No. 4719 ,Gonghexing Rd, Shanghai ,China. Tel : +86 21 -66981073 Fax : +86 21 -66981550
Email: gearpump@shxlyy.com (International Market) bill@shxlyy.com (Chinese Domestic Market)
URL: www.shxlyy.com